



PO BOX 578 CASINO, NSW 2470, AUSTRALIA  
 PHONE: INTERNATIONAL ++614 2902 9083  
 AUSTRALIA (04) 2902 9083

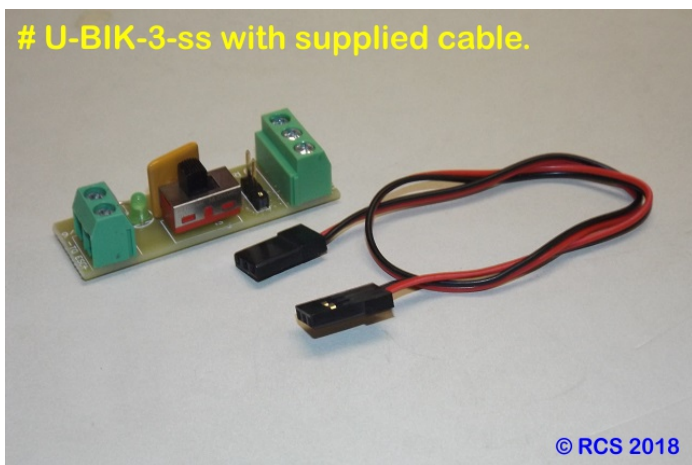
Web: <http://www.rcs-rc.com> Email: [rcs@rcs-rc.com](mailto:rcs@rcs-rc.com)

**RCS # U-BIK-3-SS.**  
 DIY BATTERY INSTALLATION KIT

This RCS # **U-BIK-3-SS** R/C battery installation kit is rated at 3 amps. **SS** stands for a **Slide Switch**. Mainly used in a trail car door mounting. With a Pre-wired Male - Male servo cable and a cable with a 2.5 x 5 mm socket for charging. The latter accepts most charger plugs fitted to smart chargers.

Each PCB has a pre-mounted SPDT slide switch, 1 x Polyswitch® 3 amp auto reset fuse & screw terminals for Battery & ESC connections.

A Green LED indicates power ON or OFF. insulate the wire joints.



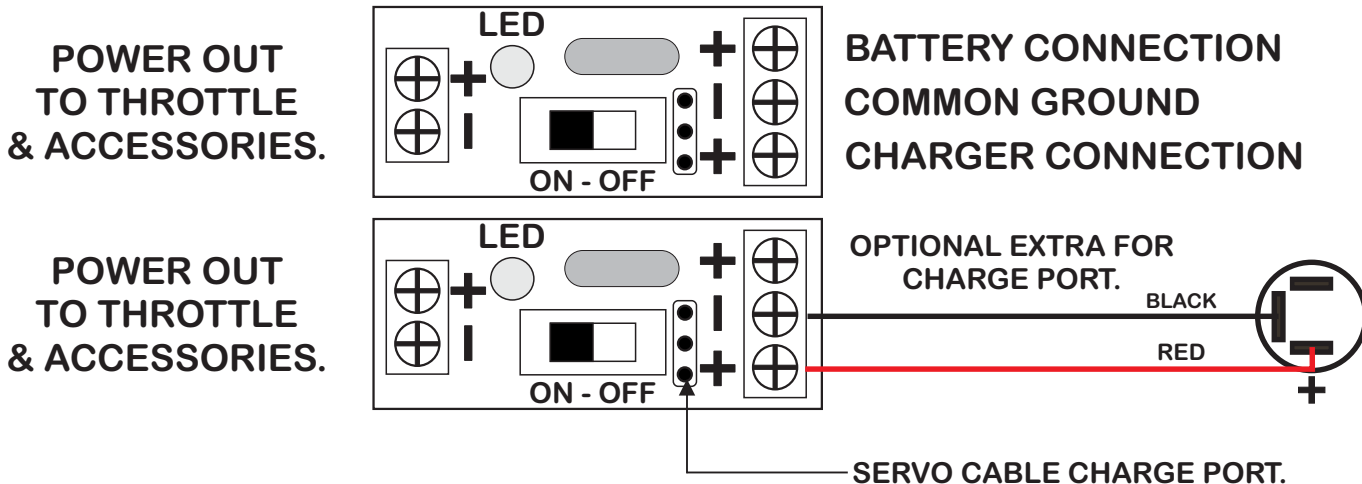
**USING THE U-BIK-3/6 KITS.**

This kit will simplify the installation of battery R/C throttles.

It can be used with any brand of R/C or battery type.

The screw terminals can accept RCS battery leads or use # 28 gauge (or heavier) Red/Black cable to wire in your own battery.

Use a small soldering iron, resin core solder & some heatshrink tubing to insulate the wire joints.



**CAUTION!!! Only plug the charger in when the switch is in the OFF Position.**