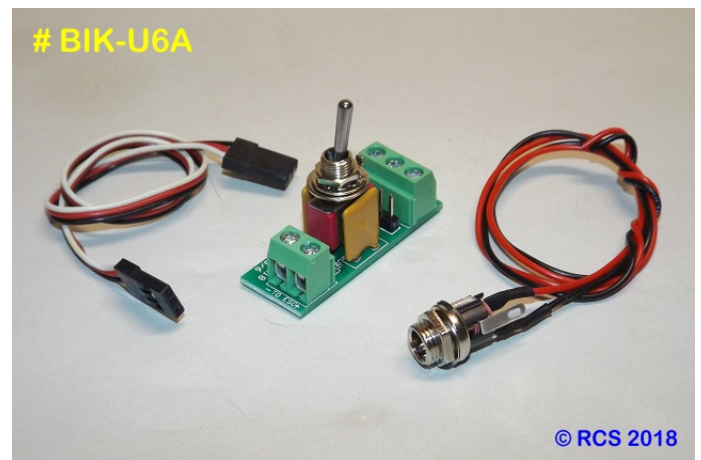
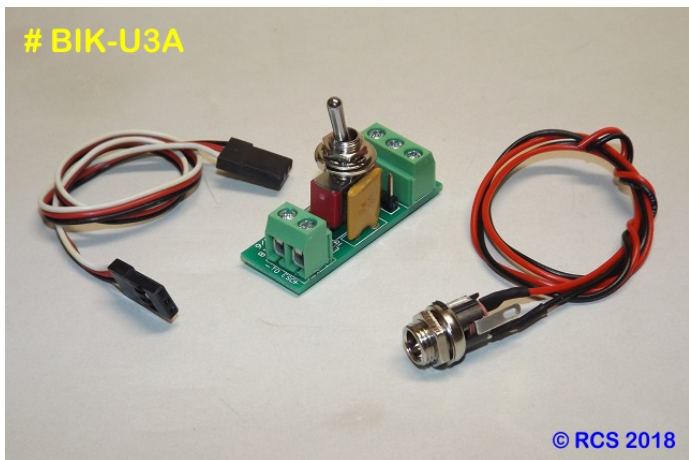




PO BOX 578 CASINO, NSW 2470, AUSTRALIA  
 PHONE: INTERNATIONAL ++614 2902 9083  
 AUSTRALIA (04) 2902 9083  
 Web: <http://www.rcs-rc.com> Email: [rcs@rcs-rc.com](mailto:rcs@rcs-rc.com)

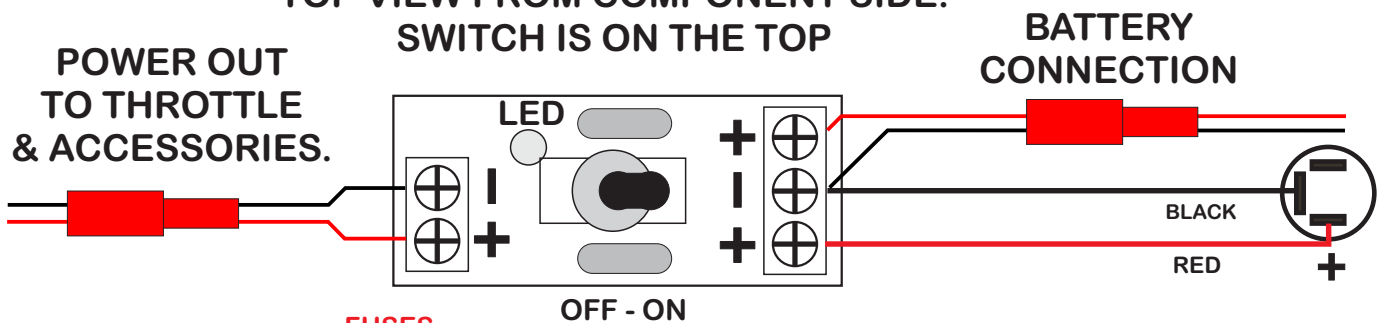
**RCS # U-BIK-3/6A.**  
 DIY BATTERY INSTALLATION KIT

This RCS # **U-BIK-3/6A** R/C battery installation kits are either 3 or 6 amp. With a Pre-wired 2.5 x 5 mm socket for charging. This accepts most plugs fitted to smart chargers. Each PCB has a pre-mounted SPDT Toggle switch, 1 x Polyswitch® 3 amp auto reset fuse & screw terminals for Battery & ESC connections. . 1 x Green LED to indicate power ON or OFF. The six amp version will have 2 x 3 amp Polyswitch® fuses. This kit will simplify the installation of battery R/C throttles. It can be used with any brand of R/C or battery type. JST connectors are supplied for use with FOSWORKS ESC's.



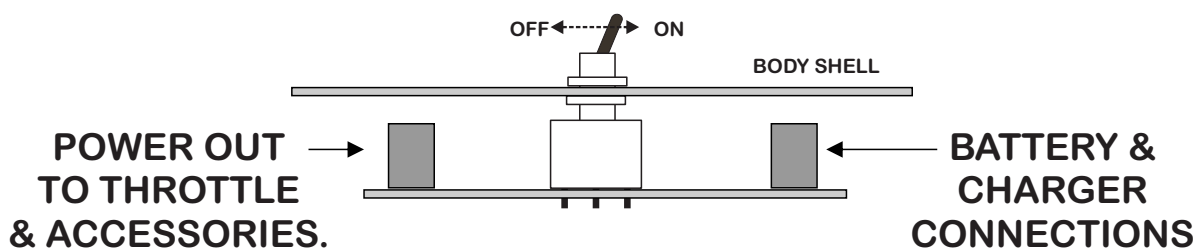
PLEASE BE ADVISED the servo lead is no longer supplied.

TOP VIEW FROM COMPONENT SIDE.  
 SWITCH IS ON THE TOP



**FUSES**  
 One Orange Polyswitch mean a 3 amp version  
 Two orange Polyswitches means a 6 amp version.

THROUGH BODY MOUNTING



**CAUTION!!!** Only plug the charger in when the switch is in the OFF Position.

# WIRING THE COBRA-160 ESC by FOSWORKS.

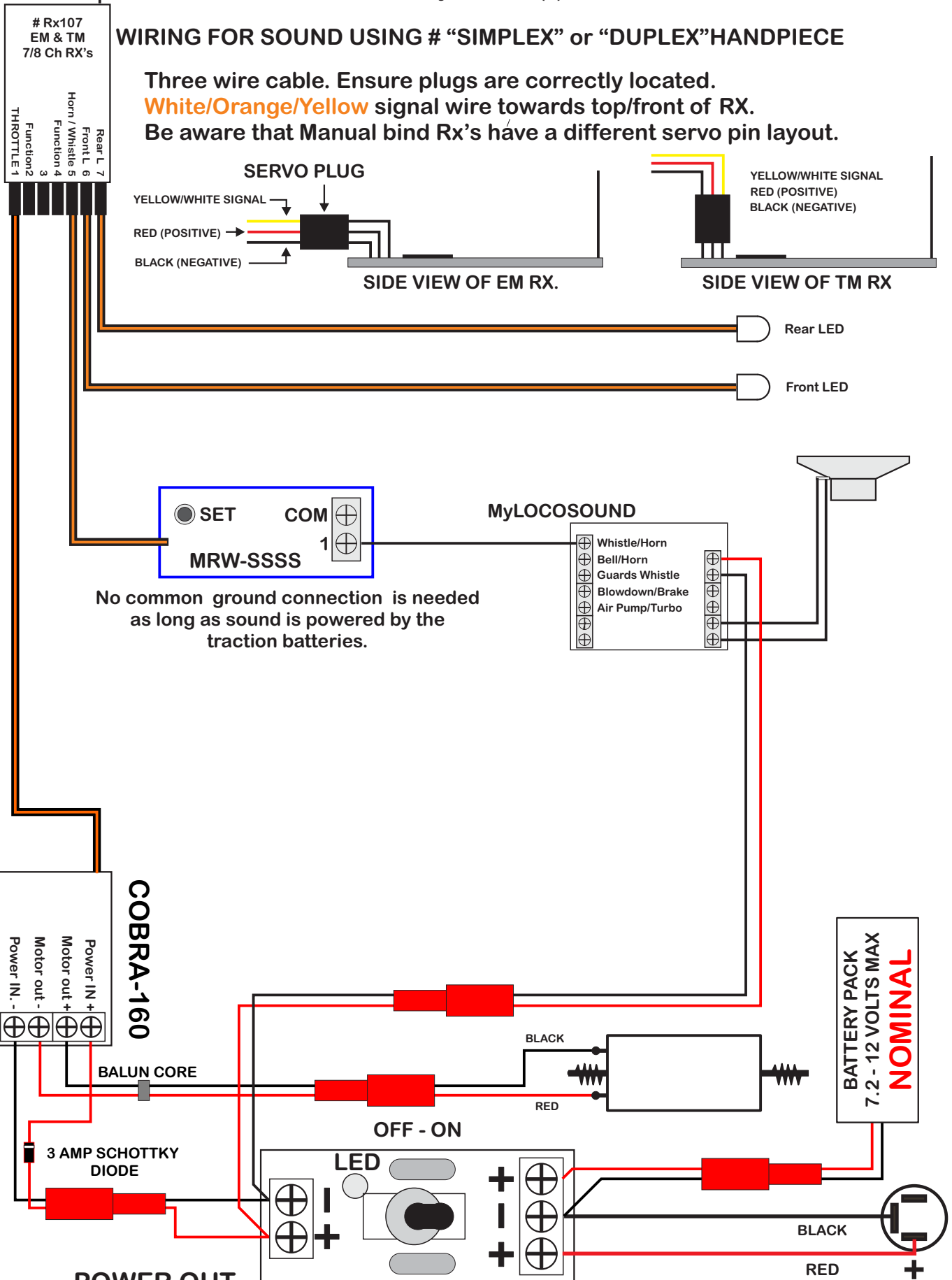
Diversity Antenna(s)

## WIRING FOR SOUND USING # "SIMPLEX" or "DUPLEX" HANDPIECE

Three wire cable. Ensure plugs are correctly located.

**White/Orange/Yellow** signal wire towards top/front of RX.

Be aware that Manual bind Rx's have a different servo pin layout.



**POWER OUT TO THROTTLE & ACCESSORIES.**

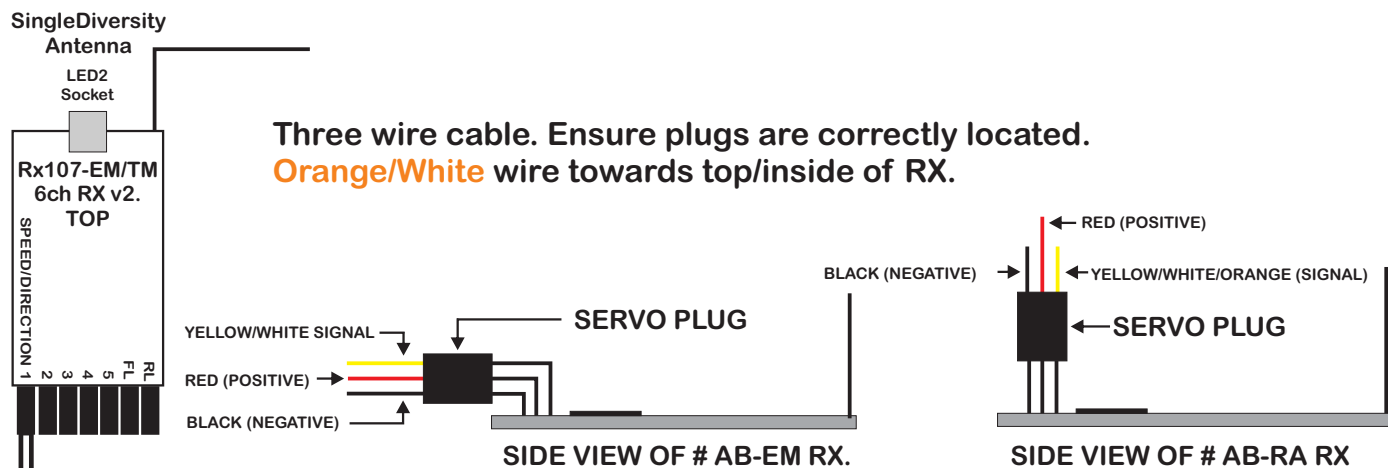
### FUSES

One Orange Polyswitch mean a 3 amp version  
Two orange Polyswitches means a 6 amp version.

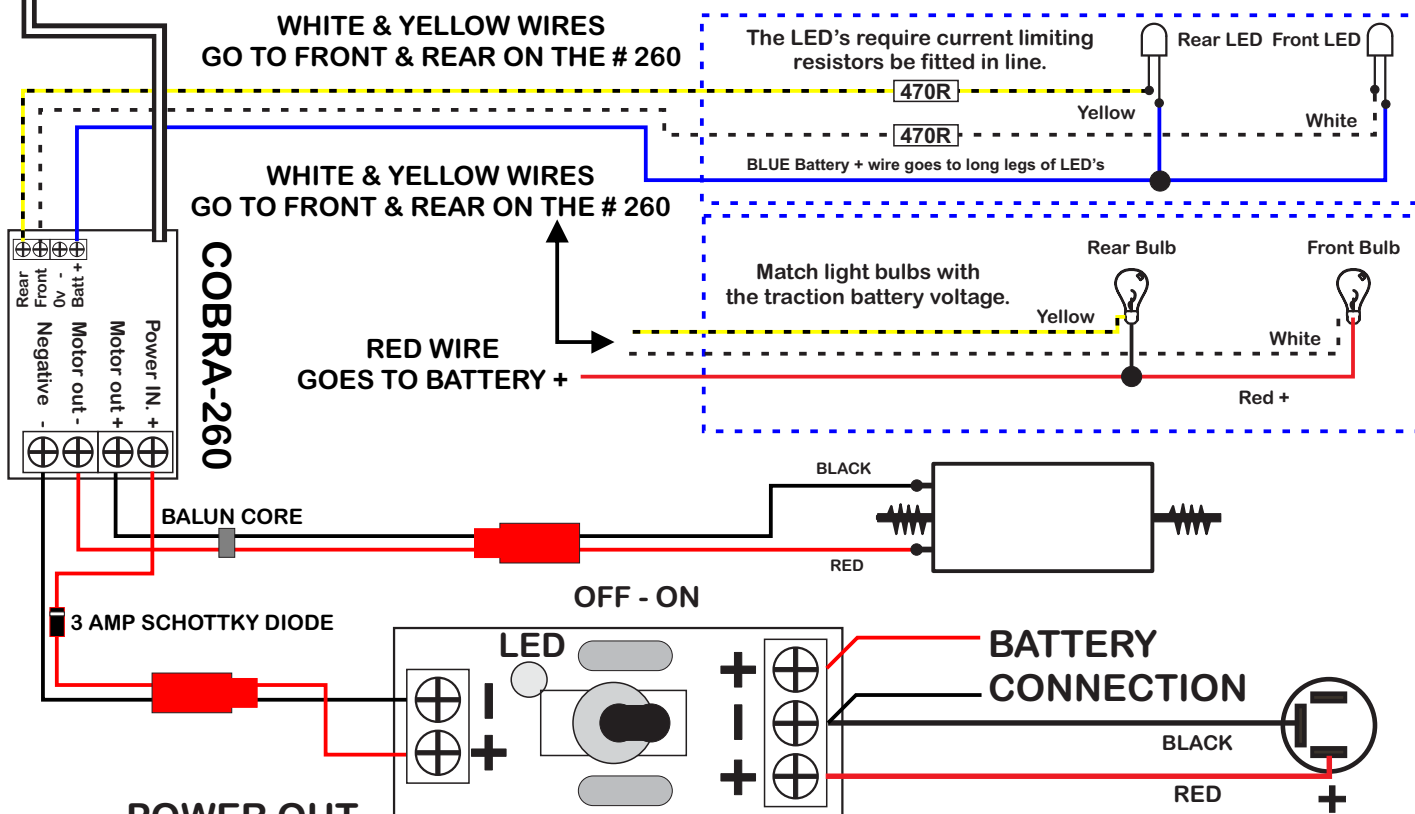
# WIRING THE # Rx107-EM & # Rx107-TM Rx's WITH COBRA-260 ESC by FOSWORKS.

BE CAREFUL WIRING POWER IN. REVERSE WIRING THE BATTERY INPUT MAY DAMAGE THE ESC. NO WARRANTY IF MISWIRED.

**DO NOT CONNECT ANY BATTERIES TO Rx.**



**PAY PARTICULAR ATTENTION TO WIRING THE DIRECTIONAL LIGHTS FITTED TO THE COBRA-260 ESC.**



**POWER OUT TO THROTTLE & ACCESSORIES.**

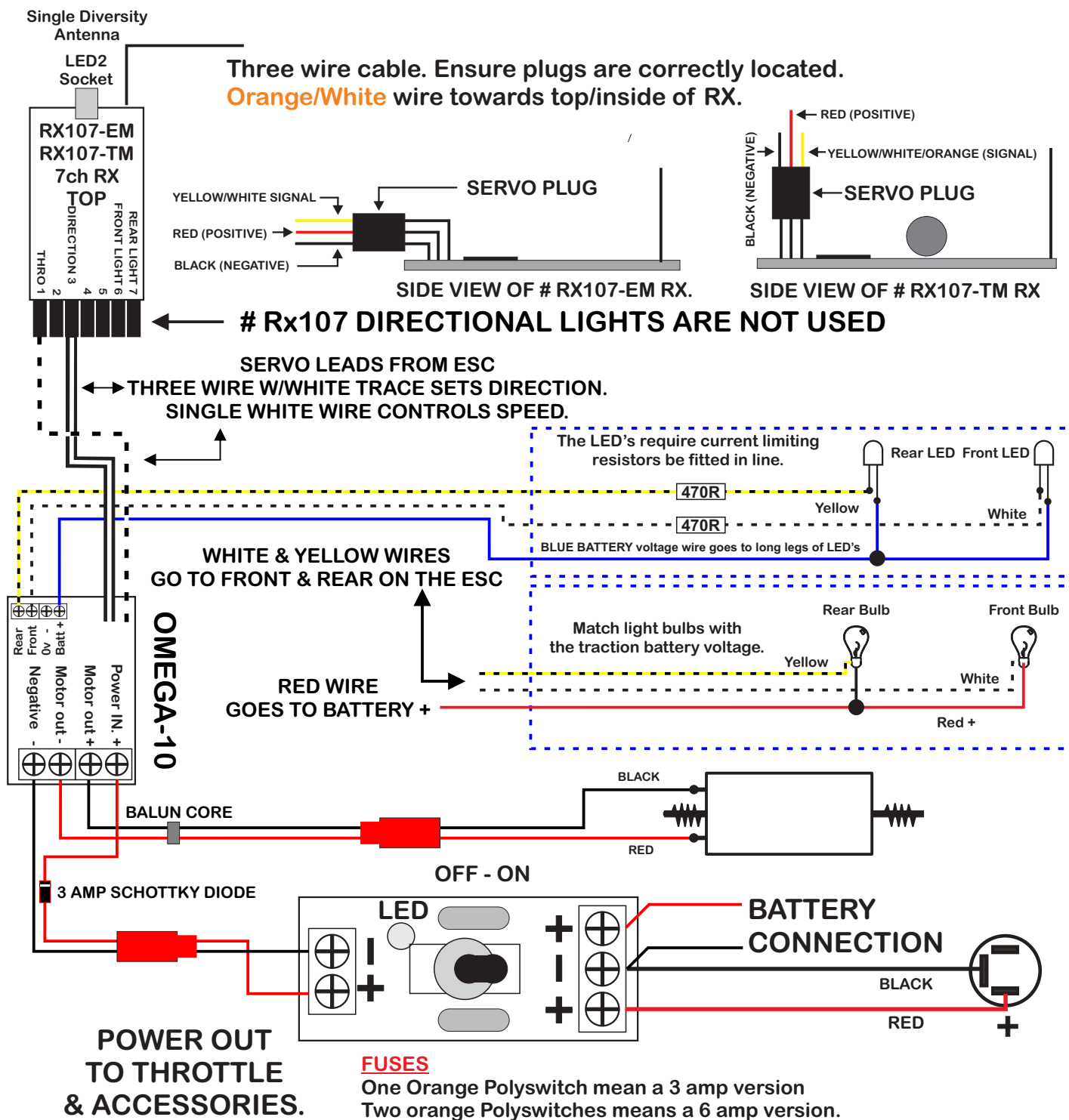
### FUSES

One Orange Polyswitch mean a 3 amp version  
Two orange Polyswitches means a 6 amp version.

# WIRING THE # Rx107-EM & # Rx107-TM Rx's WITH OMEGA-10 ESC by FOSWORKS.

BE CAREFUL WIRING POWER IN. REVERSE WIRING THE BATTERY INPUT MAY DAMAGE THE ESC. NO WARRANTY IF MISWIRED.

**DO NOT CONNECT ANY BATTERIES TO Rx.**



In-Line JST connector cables are now fitted to RCS ESC's. When adding other features such as triggering sound systems, information & wiring examples will be provided with the add on's chosen. Use the lighting outputs to control a # RELAY-1v3 or # RELAY-5/12/24v. Easy wiring of USAT® & LGB® locos. Use the simple # PnP-BATT kit for Aristo Craft® and Bachmann® locos fitted wth PnP sockets.