

Congratulations on buying this Remote Control Systems 2 Way Solid Sate Light Control Switch. If you treat it with respect it will reward you with many years of trouble free service.

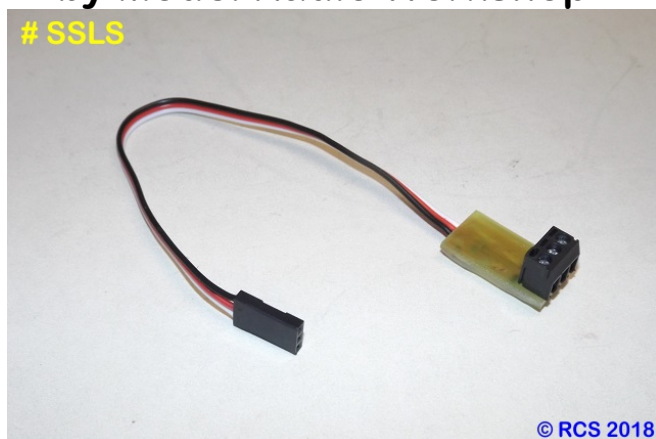
Operating voltage is 4.4v to 6.3 v. Switch points are 1.25 ms and 1.75 ms on each channel.

There are no user serviceable components.

PO BOX 1118 BAYSWATER, VIC 3153, AUSTRALIA
 PHONE: INTERNATIONAL ++614 2902 9083
 AUSTRALIA (04) 2902 9083 VOIP via Engin®
 Web: <http://www.rcs-rc.com> Email: rcs@rcs-rc.com

MRW-SSLS

by Model Radio Workshop



The # MRW-SSLS has been designed to provide constant brightness directional lighting for any R/C system using a Centre OFF ESC controlled by any Rx's that do not have that feature.

It is connected in parallel to the Direction and Speed control channel of the RX you are using by the supplied standard "Y" servo cable. The # MRW-SSLS reads the servo signal and automatically follows direction change.

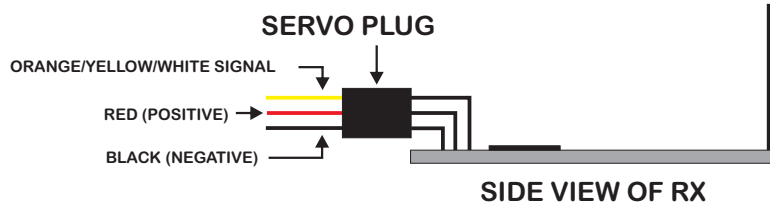
Unlike other R/C switches the # MRW-SSLS always has the selected direction light **ON BEFORE** the loco starts moving.

If using other brands of Rx's please make sure that the channel you are using has the end point/travel adjustments set to 100% of movement. If you don't, you may find that one side will not switch on and off.

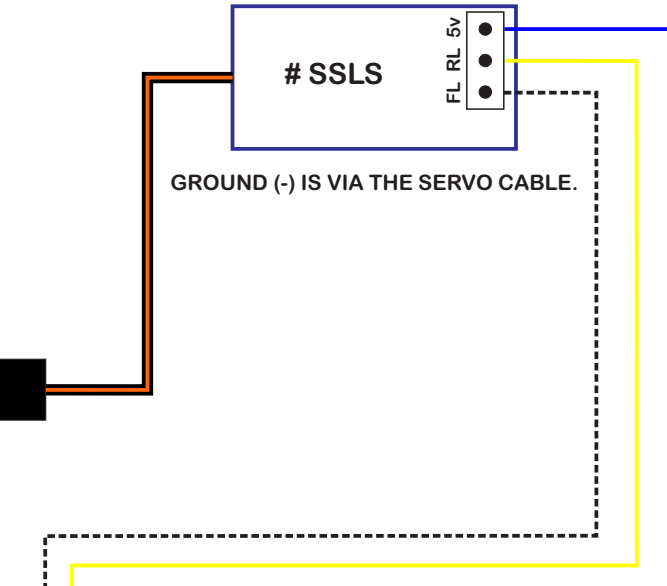
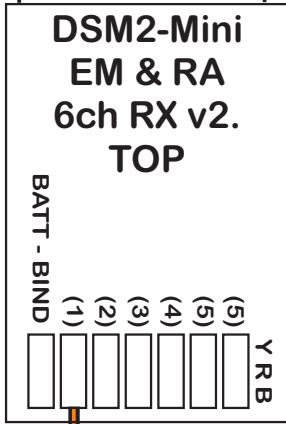
The pcb is provided with a 5 volt supply from the ESC. You can use this to power LED's, incandescent bulbs and relays. OR: You can use any other battery voltage as long as the LED's have a dropping resistor in the circuit. Incandescent bulbs and Relays must match the traction battery voltage.

Made in the UK by Model Radio Workshop (# RCS03)

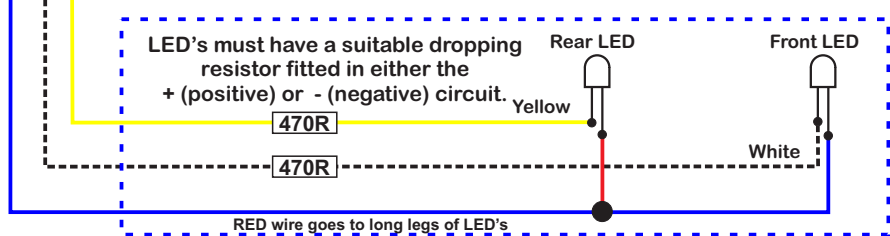
WIRING THE RCS #MRW-SSLS between a DSM2-MINI & a PNP-ADAPT when used with VIPER ESC's.



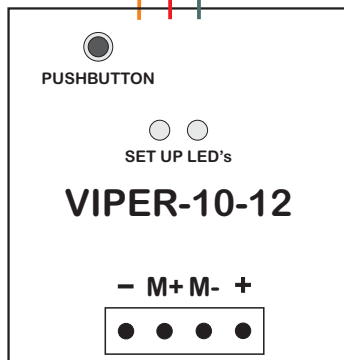
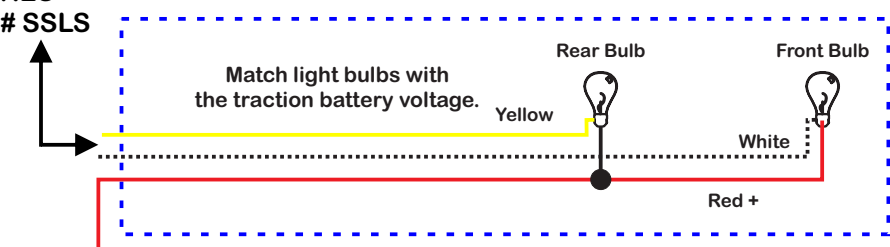
N.B. Maximum current on each output is 100 ma.



“Y” CABLE

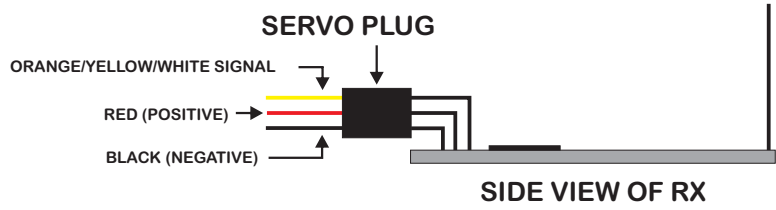


YELLOW & WHITE WIRES GO TO FL & RL ON THE #SSLS

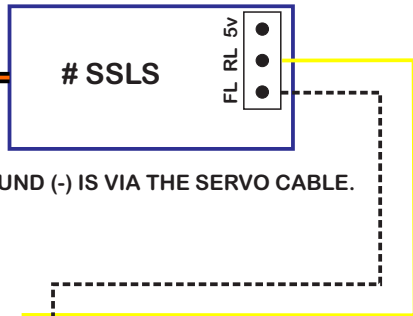
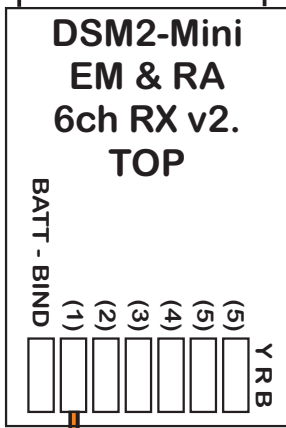


SEE # RELAY-1V3 FOR HOW TO USE WITH SIMPLIFIED USAT WIRING.

WIRING THE RCS #MRW-SSLS between a DSM2-MINI & a PNP-ADAPT when used with VIPER ESC's.

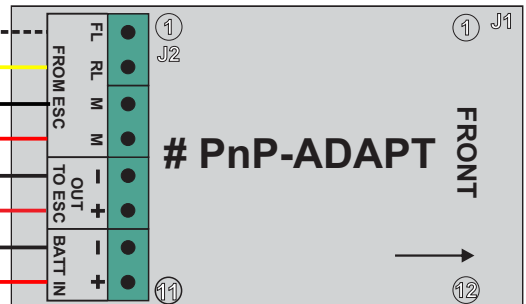


N.B. Maximum current on each output is 100 ma.

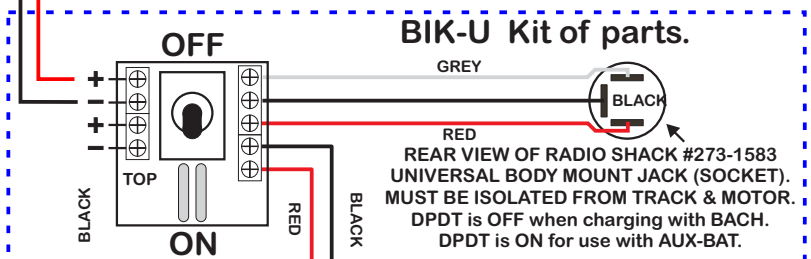


GROUND (-) IS VIA THE SERVO CABLE.

"Y" CABLE



VIPER-10-12 Max track voltage is 15 volts.
 VIPER-10-24 Max track voltage is 24 volts.

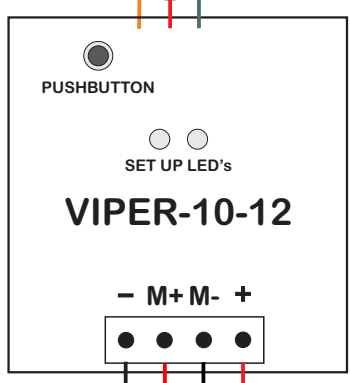


REAR VIEW OF RADIO SHACK #273-1583 UNIVERSAL BODY MOUNT JACK (SOCKET). MUST BE ISOLATED FROM TRACK & MOTOR. DPDT is OFF when charging with BACH. DPDT is ON for use with AUX-BAT.

FUSE. We suggest you use a # RUE-300 3 amp Auto reset Polyswitch. NOT required with BIK-U3/6.



VIPER-10-24 = max 21 VOLTS NOMINAL



WIRING THE RCS #MRW-SSLS between a DSM2-MINI & a RELAY-1v3 for controlling the on board electronics in USAT locos.

N.B. Maximum current on each output is 100 ma.

HOW TO USE THE # MRW-SSLS TO CONTROL A # RELAY-1V3 TO REVERSE BATTERY VOLTAGE FOR EASY INSTALLATION OF ON-BOARD USAT LOCO WIRING.

