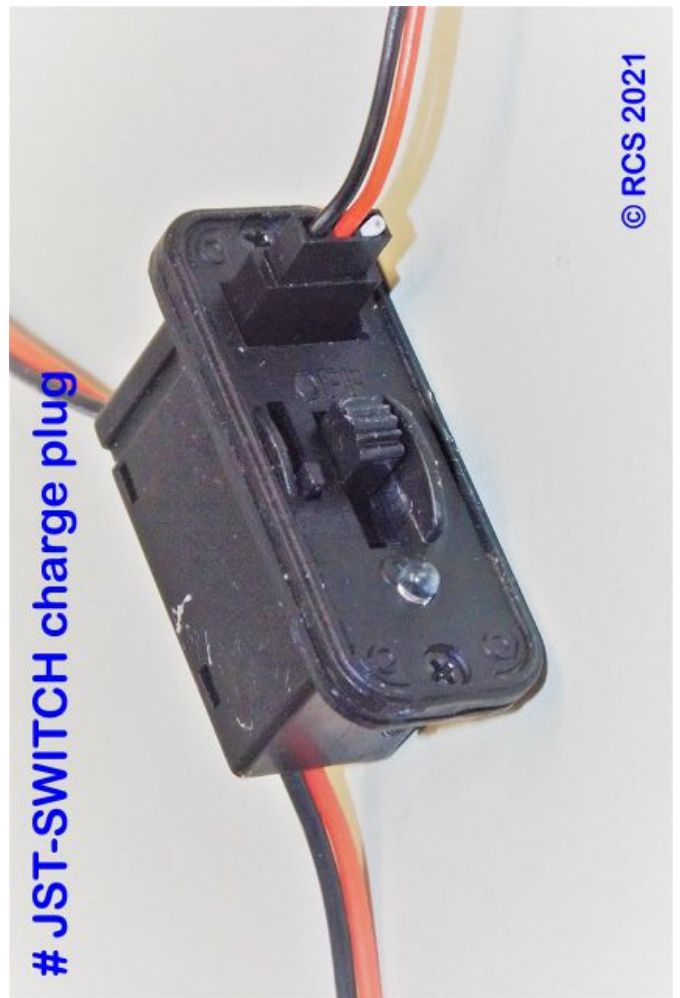




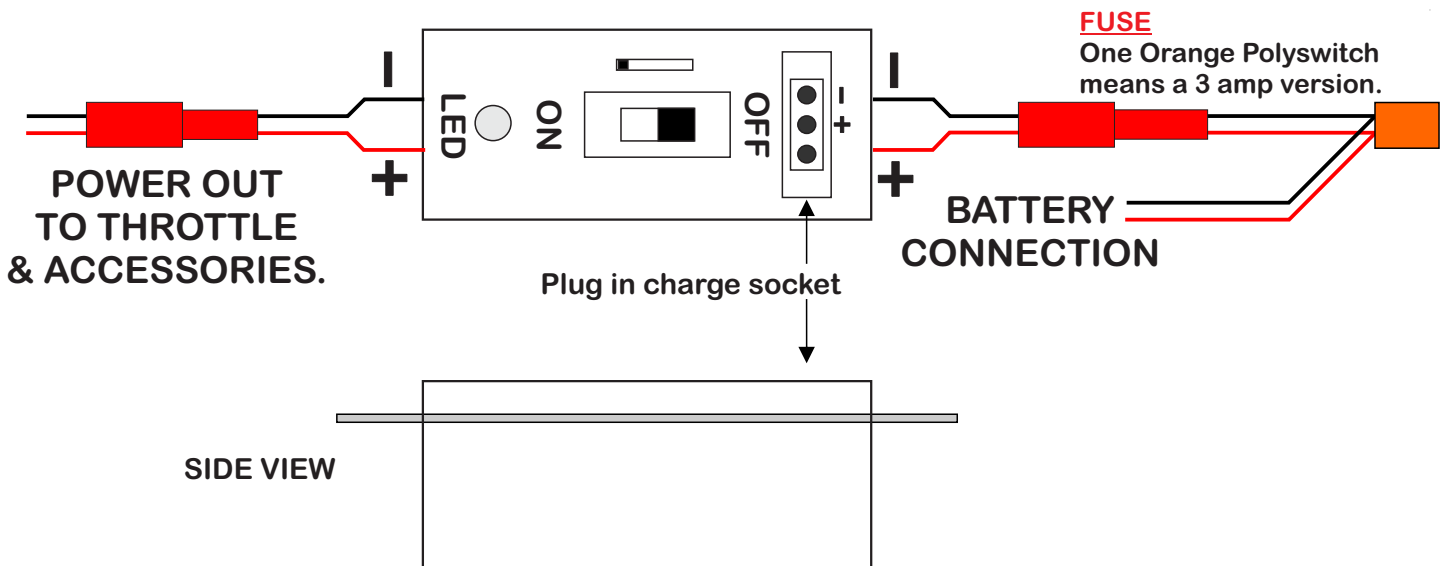
PO BOX 578 CASINO, NSW 2470, AUSTRALIA  
 PHONE: INTERNATIONAL ++614 2902 9083  
 AUSTRALIA (04) 2902 9083

Web: <http://www.rcs-rc.com> Email: [rcs@rcs-rc.com](mailto:rcs@rcs-rc.com)

**RCS # JST-SWITCH.**  
 DIY BATTERY INSTALLATION KIT



This RCS # **JST-SWITCH** R/C battery installation kit can handle a maximum of 3 amps. There is a built in FUTABA type charge socket for charging. We provide a matching plug with a JST connector on the other end for use with a charger that can handle **JST** connections. The switch contains an LED which illuminates when the power is switched on. You will need to insert a 3 amp fuse/circuit breaker on the battery leads. We recommend the plug in in-line RCS # **JST-FUSE**. This has an auto reset 3 amp Polyswitch®. This kit will simplify the installation of all battery R/C throttles. It can be used with any brand of R/C or battery type. The **JST** connectors supplied mate with other RCS components such as **FOSWORKS ESC's**.



**CAUTION!!! Only plug charger in when switch is in the OFF Position.**