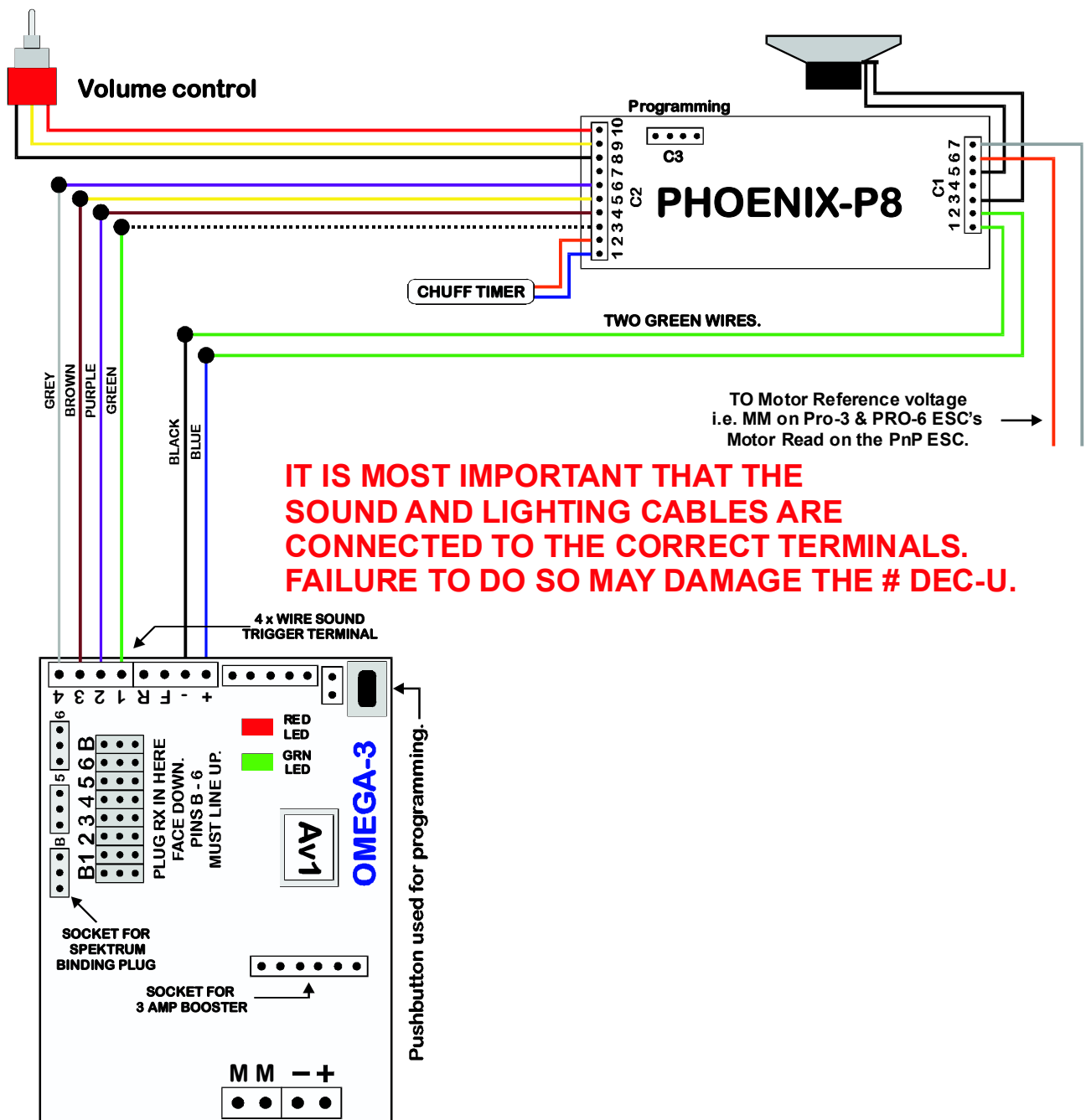


WIRING THE RCS OMEGA SERIES ESC with Phoenix P8 sound.

N.B. It is OK to swap outputs #1, #2, #3 & #4 to suit TX sticks.



CAUTION:

SPEKTRUM® R/C & PLANET TWISTER® R/C ARE GROUP "A" SYSTEMS.
THEY MUST USE THE PRO-Av1 PROGRAM.

HOBBY KING® R/C & E-SKY® R/C ARE GROUP "B" SYSTEMS.
THEY MUST USE THE PRO-Bv1 PROGRAM.