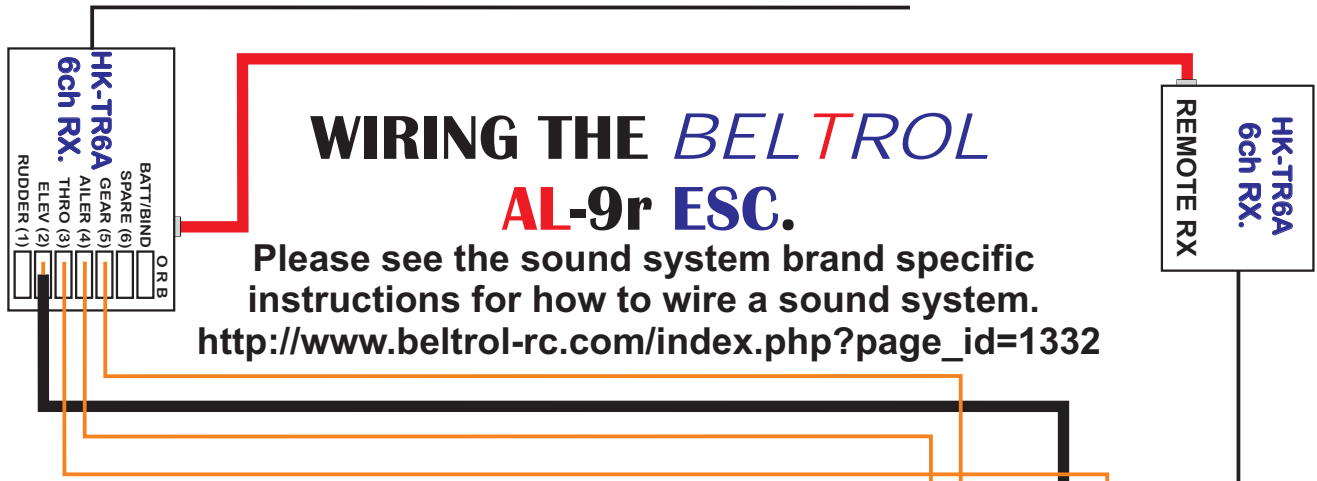
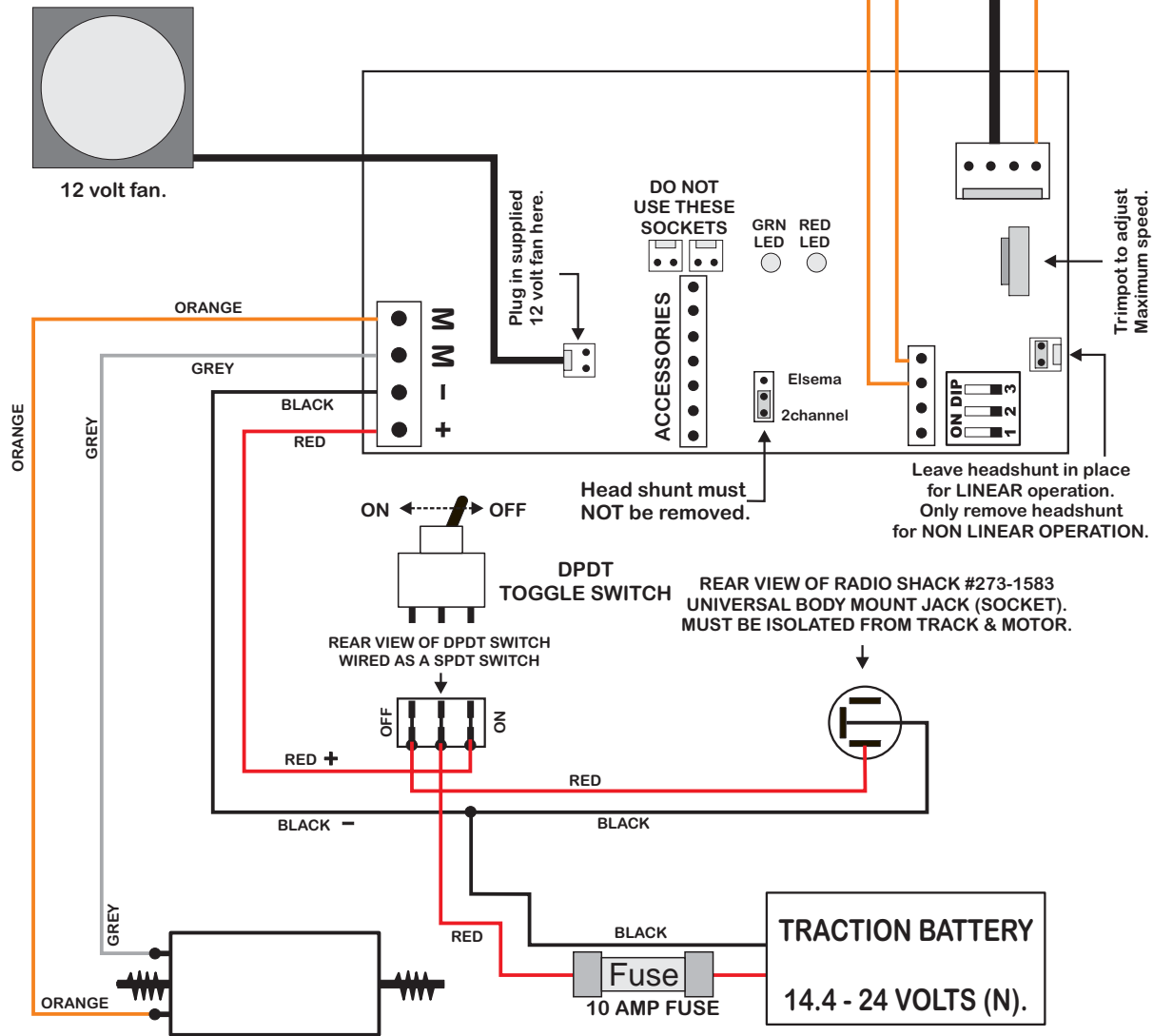


WIRING THE BELTROL AL-9r ESC.

Please see the sound system brand specific instructions for how to wire a sound system.
http://www.beltrol-rc.com/index.php?page_id=1332



Ensure plugs are correctly located.
 Orange wire towards the middle of RX.



IT IS OK TO USE A 5 AMP DPDT SWITCH WIRED AS A 10 AMP SPDT.