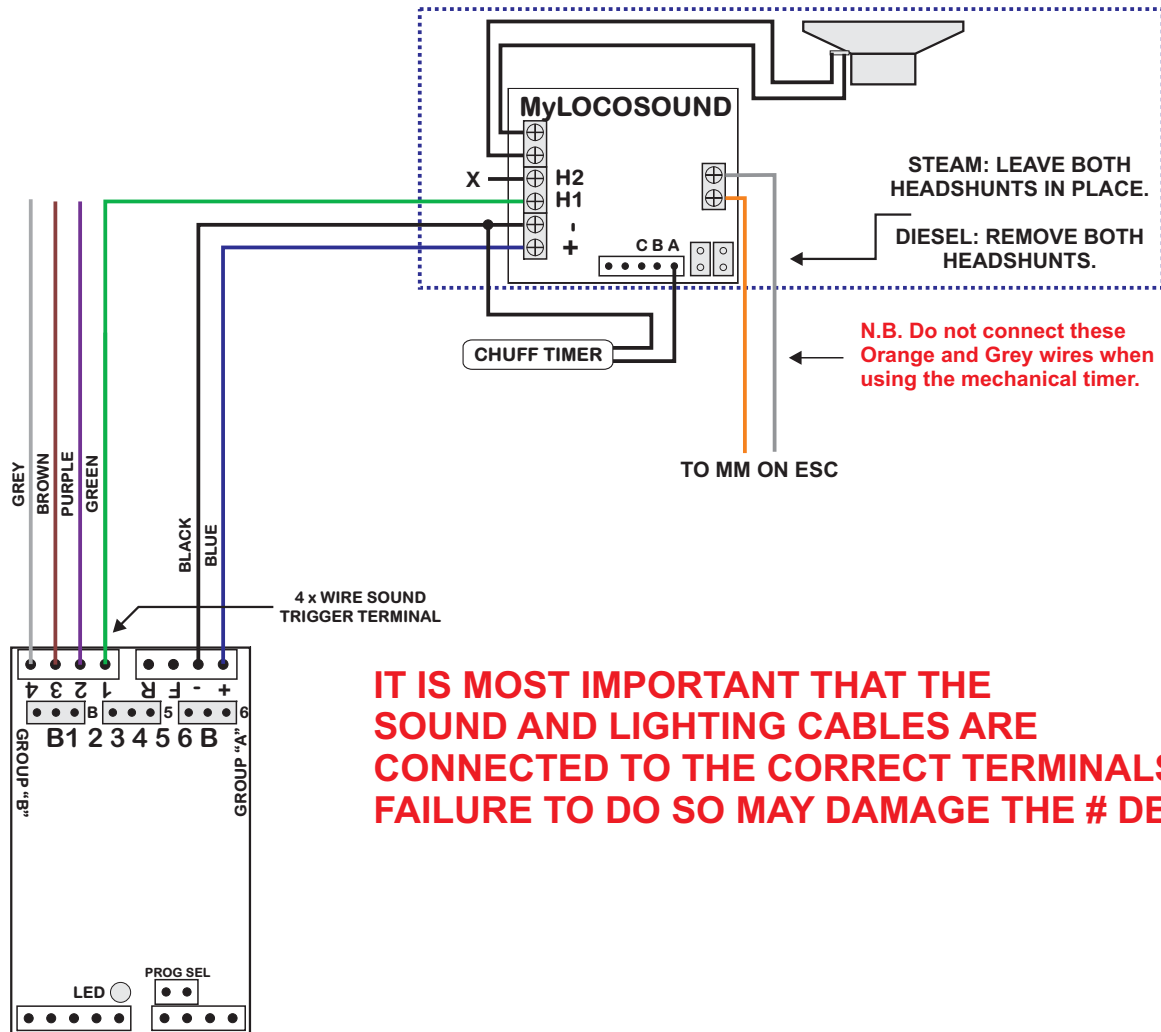


WIRING THE *RCS PRO SERIES* ESC with MyLocosound.

N.B. It is OK to swap outputs #1, #2, #3 & #4 to suit TX sticks.



**IT IS MOST IMPORTANT THAT THE
SOUND AND LIGHTING CABLES ARE
CONNECTED TO THE CORRECT TERMINALS.
FAILURE TO DO SO MAY DAMAGE THE # DEC-U.**

CAUTION:

**SPEKTRUM® R/C & PLANET TWISTER® R/C ARE GROUP "A" SYSTEMS.
THEY MUST USE THE PRO-Av1 PROGRAM.**
**HOBBY KING® R/C & E-SKY® R/C ARE GROUP "B" SYSTEMS.
THEY MUST USE THE PRO-Bv1 PROGRAM.**