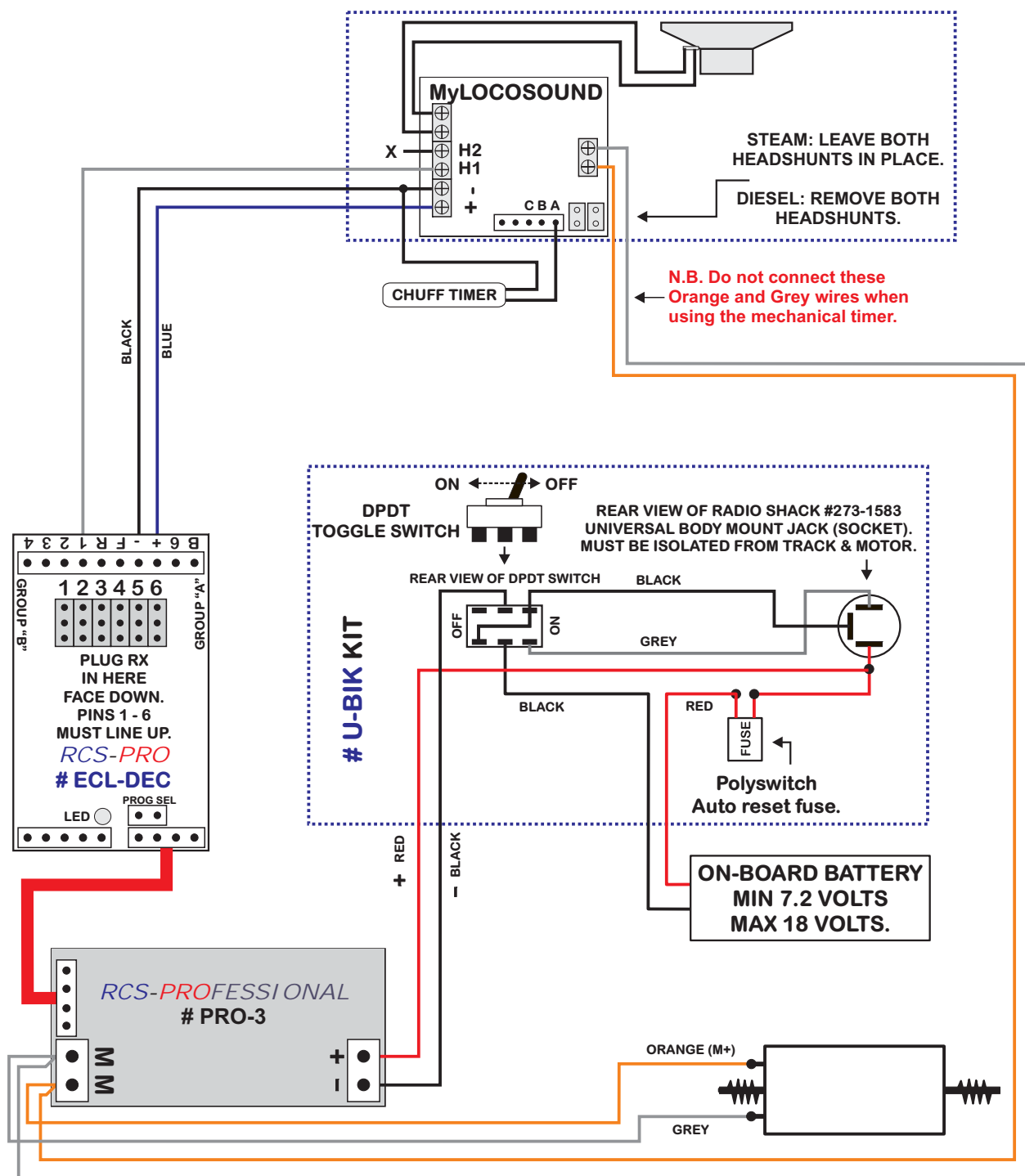


WIRING THE *RCS-PRO-3* ESC with battery power & MyLocosound.



CAUTION:

SPEKTRUM® R/C & PLANET TWISTER® R/C ARE GROUP "A" SYSTEMS.
THEY MUST USE THE PRO-Av1 PROGRAM.

HOBBY KING® R/C & E-SKY® R/C ARE GROUP "B" SYSTEMS.
THEY MUST USE THE PRO-Bv1 PROGRAM.