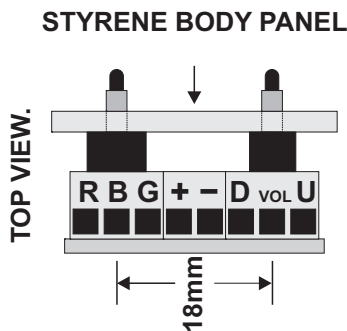


WIRING THE *CLASSIC* OM-PnP ESC with SPEKTRUM DX5e

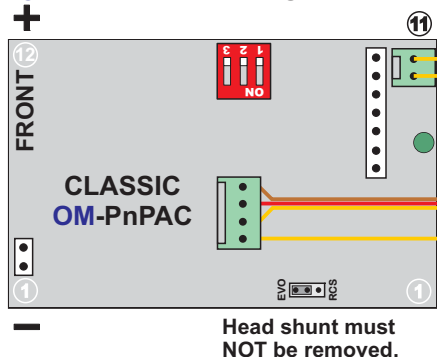
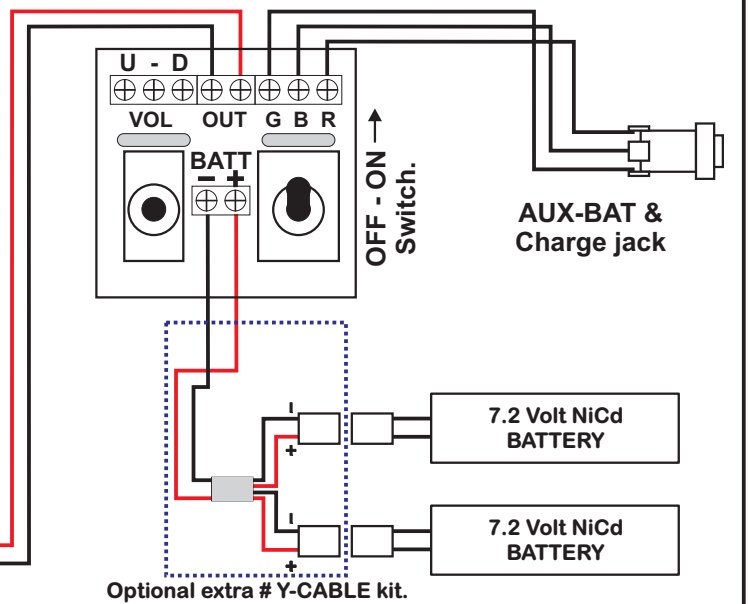
PLEASE NOTE. THE LIGHTING OUTPUTS ON THE OM-PnPPAC ARE PRE-WIRED VIA THE PINS ON THE ESC.

Please see the sound system brand specific instructions for how to wire a sound system.
<http://www.beltr-rc.com/p1332-Instructions.html>



TWO VIEWS OF THE # BIK-U+V KIT PCB

CONNECT THE RED & BLACK WIRES TO:
THE ARISTOCRAFT BATTERY CONNECTORS
AT THE SMALL PCB IN THE U CHANNEL AT
THE REAR. **N.B. POLARITY IS IMPORTANT.**
THE BACHMANN TERMINALS MARKED "BAT".



Three wire cable.
Ensure plugs are correctly located.
Orange wire to the middle.



SHORT ANTENNA

LONG ANTENNA