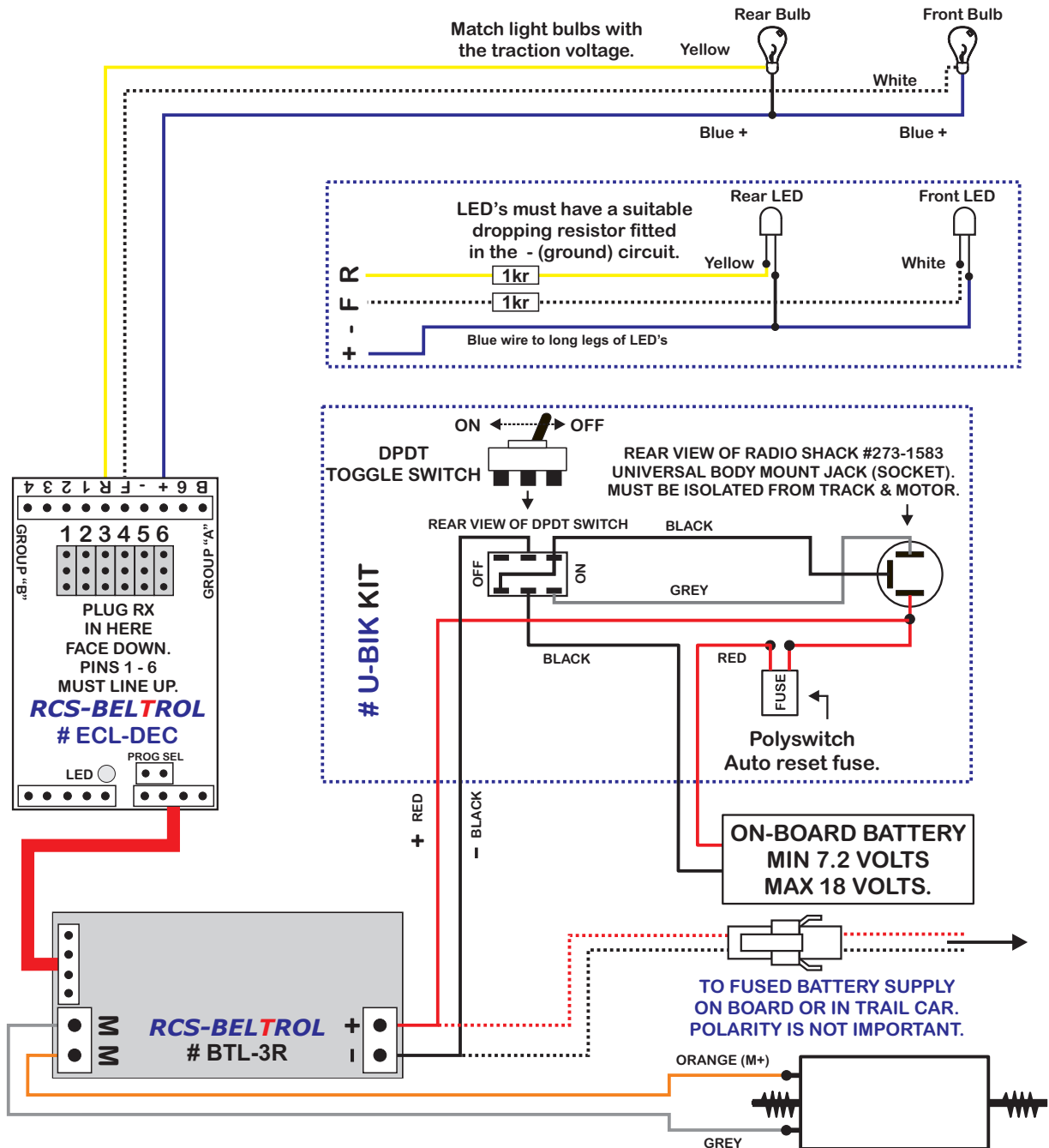


# WIRING THE *RCS-BELTROL* BTL-3r ESC with Battery power only. How to wire incandescent & LED lighting.



## CAUTION:

SPEKTRUM® R/C & PLANET TWISTER® R/C ARE GROUP "A" SYSTEMS.  
THEY MUST USE THE **BTLvA2** PROGRAM.  
HOBBY KING® R/C & E-SKY® R/C ARE GROUP "B" SYSTEMS.  
THEY MUST USE THE **BTLvB2** PROGRAM.