

PO BOX 1118 BAYSWATER, VIC 3153, AUSTRALIA
 PHONE: INTERNATIONAL ++614 2902 9083
 AUSTRALIA (04) 2902 9083 VOIP via Engin®
 Web: <http://www.rcs-rc.com> Email: rcs@rcs-rc.com

TRC SERIES

R/C MODULES
 With 8 button - 24 function TX.

TRC-TX-24 CARE AND FEEDING.

USE ONLY A 9 VOLT ALKALINE TRANSISTOR BATTERY.
 DO NOT USE USE CARBON OR NiCd OR NiMh CELLS.
 THE TRC-TX-24 IS NOT WATERPROOF.
 PLEASE USE SUPPLIED PLASTIC COVER WHEN USING
 IN WET WEATHER.
 USE A SOFT DAMP CLOTH TO CLEAN THE HANDPIECE.



© RCS 2006



© RCS 2006

RCS TRACKSIDE ACCESSORY CONTROL POSSIBILITIES.

PCB'S ARE DESIGNED FOR USE WITH TRC-TX-24 24 FUNCTION HAND PIECE or:

PCB's WILL WORK WITH GROUP #2 & #3 BUTTONS ON A TX-24 CONTROLLING LOCOS.
 WHEN YOU PRESS THE STAR BUTTON CODE #7 IS ADDED. THE HEXAGON ADDS CODE #8.

LONG RANGE, RELIABLE OPERATION.

SIMPLE SCREWDRIVER INSTALLATION. POWER WITH 12-24 Volts AC.

EASY CODE SETTING WITH DIP SWITCHES FOR FUNCTION SEPARATION.

SINGLE FUNCTION SPDT RELAY CARD. 5 AMP CAPABILITY.

TWO FUNCTION SPDT RELAY CARD. 5 AMP CAPABILITY.

FOUR FUNCTION SPDT RELAY CARD. 5 AMP CAPABILITY.

FOUR FUNCTION OPEN COLLECTOR OUTPUT CARD. 100ma CAPABILITY PER TRANSISTOR.

ALL CARD OUTPUTS CAN BE SET UP FOR MOMENTARY or LATCH ON-OFF FUNCTIONS.

USE JUST ONE FUNCTION TO SEQUENTIALLY SET TORTOISE SWITCH MACHINES.

USE JUST ONE FUNCTION FOR AIR POWER SOLENOIDS.

TWO FUNCTIONS ARE REQUIRED FOR DC SWITCH MACHINES SUCH AS ATLAS & LGB ETC.

TRIGGER TRACKSIDE SOUND SYSTEMS.

ACTIVATE ANIMATED FEATURES. Such as merry-go-rounds, Ferris Wheels etc.

CONTROL TURNOUTS. Using Tortoise®'s switch machines or solenoids for air powered turnouts.

USE CARDS TO CONTROL DOUBLE ENDED PASSING SIDINGS. One touch route setting.

OPERATING WITH THE TRC-TX-24

These radio controlled trackside accessory function receivers can be used with a TX-24 handpiece that is controlling a loco on Group "A". OR: With dedicated TRC-TX-24 hand pieces being used solely for accessories. This latter method permits one TRC-TX-24 handpiece for each operator.

SYSTEM SEPARATION.

TX-24. Set the Dip Switches to match loco codes plus either # 7 or # 8 ON.

N.B. Only this TX-24 can operate the accessory receivers. This will not matter if only this TX-24 is going to set turnouts or switch devices ON - OFF.

TRC-TX-24. This RCS trackside accessory control system shares the 27.145 Mhz frequency with regular RCS loco control systems. To keep them separate you are required to dedicate all the TRC-TX-24's & all RX's with a code number set on the Dip Switches that is only applicable to accessory control.

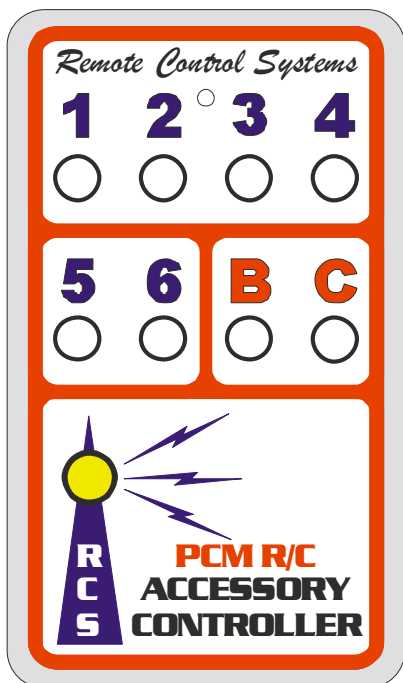
We recommend code #6 **only**, be so allocated. See rear of TX on front page. This will keep the other 5 code #'s free for system separation of locos.

If you wish to use trackside accessory receivers with:

Group "B" controls, also set the receiver Dip Switch #7 to ON.

Group "C" controls, also set the receiver Dip Switch #8 to ON.

The single function receivers have a 12 way Dip Switch. See page # 3 for how to set them so they correspond to the TRC-TX-24 buttons.



GROUP "A".

Once the system separation codes have been set the button numbers **1 - 2 - 3 - 4** will operate the same numbered function outputs of the TRC-4-T & TRC-4-R.

Each receiver can also be set up to work with buttons 5 & 6 & 1 + 3 & 2 + 4. To enable this, also turn on code #10 on the relevant receiver(s).

Then 5 = **1**. 6 = **2**. 1 + 3 = **3**. 2 + 4 = **4**.

GROUP "B": 8 MORE FUNCTIONS AVAILABLE.

GROUP "C": 8 MORE FUNCTIONS AVAILABLE.

CAUTION!!!

DO NOT PRESS "B" & "C" AT THE SAME TIME.

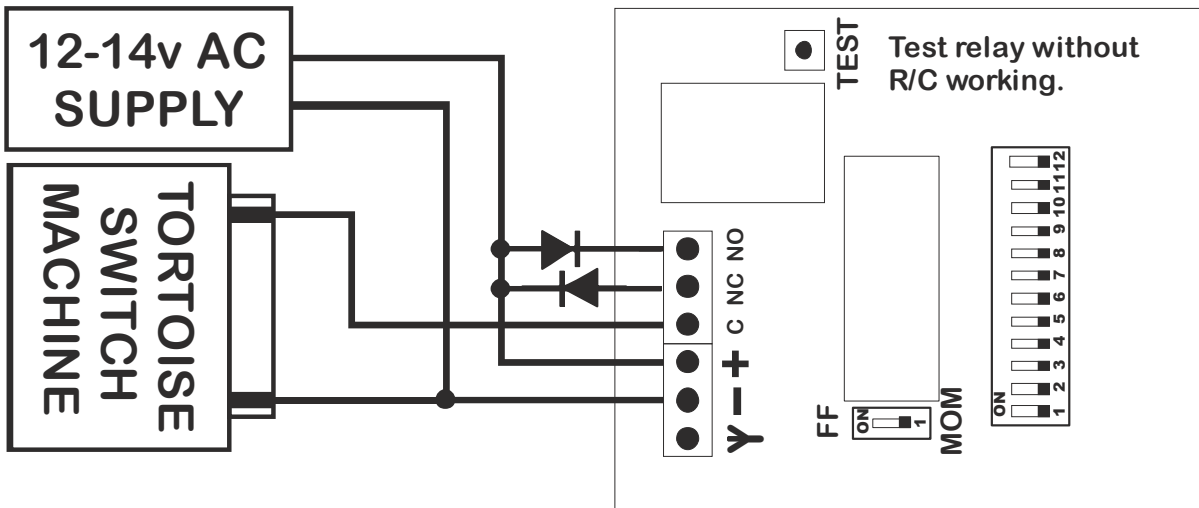
Doing so may affect the address codes of locos.

PLEASE NOTE.

SET MOM - FF Dip Switches to **FF** for Tortoise machines & Air solenoids. One function required for each turnout or group of turnouts.

SET MOM - FF Dip Switches to **MOM** for ATLAS & LGB switch machines. Two functions required for each turnout or group of turnouts.

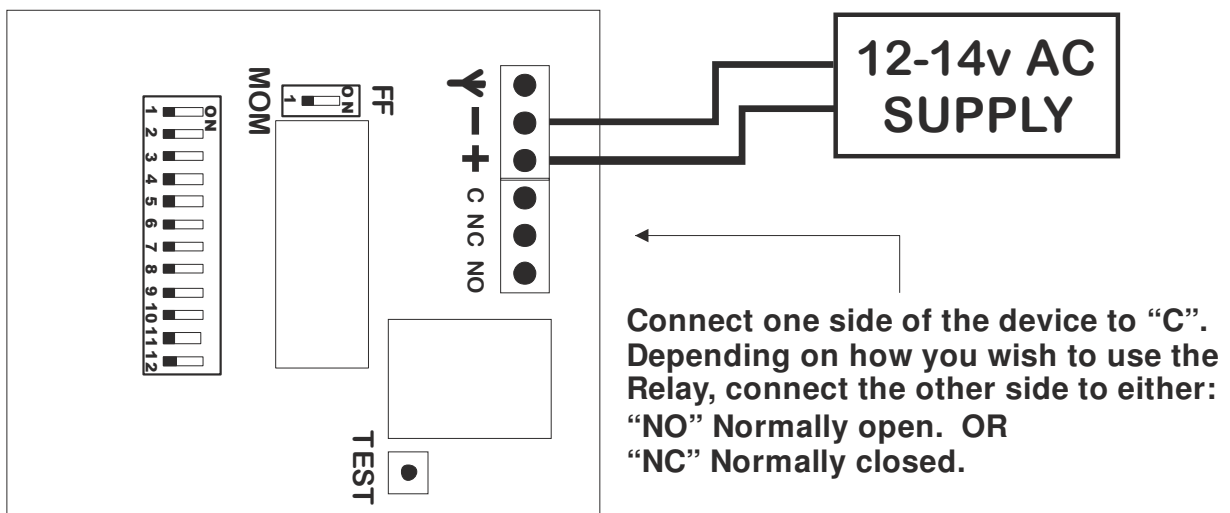
TRC-1-R SINGLE FUNCTION WIRING FOR TORTOISE SWITCH MACHINES.



- 1 = RX codes 10 OFF + 11 & 12 ON.
- 2 = RX codes 10 OFF + 11 OFF & 12 ON.
- 3 = RX codes 10 OFF + 11 ON & 12 OFF.
- 4 = RX codes 10 OFF + 11 & 12 OFF.

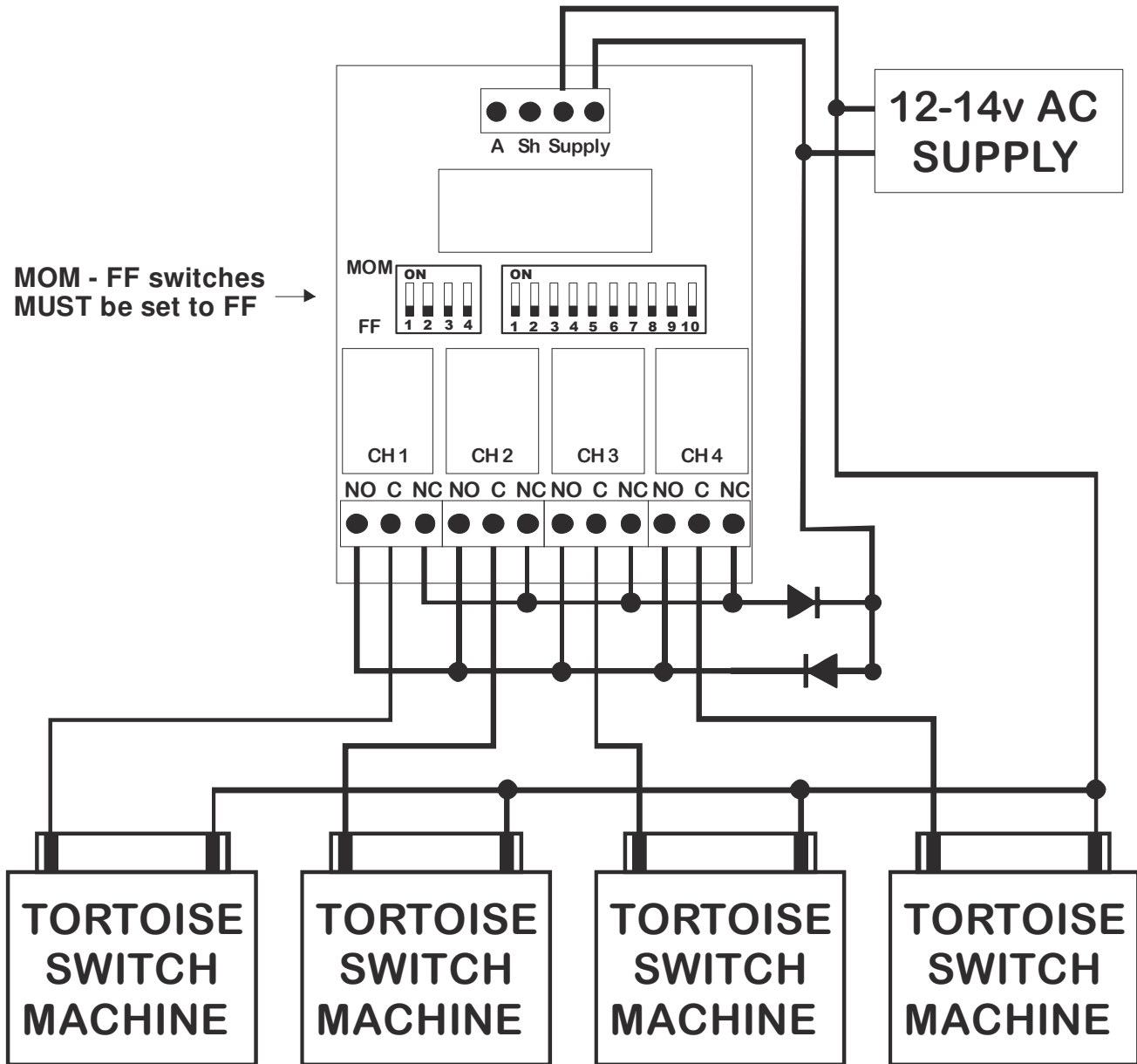
- 5 = RX codes 10 ON + 11 & 12 ON.
- 6 = RX codes 10 ON + 11 OFF & 12 ON.
- 7 = RX codes 10 ON + 11 ON & 12 OFF.
- 8 = RX codes 10 ON + 11 & 12 OFF.

TRC-1-R SINGLE FUNCTION WIRING.



To maximise range connect 1 meter of light wire to the terminal

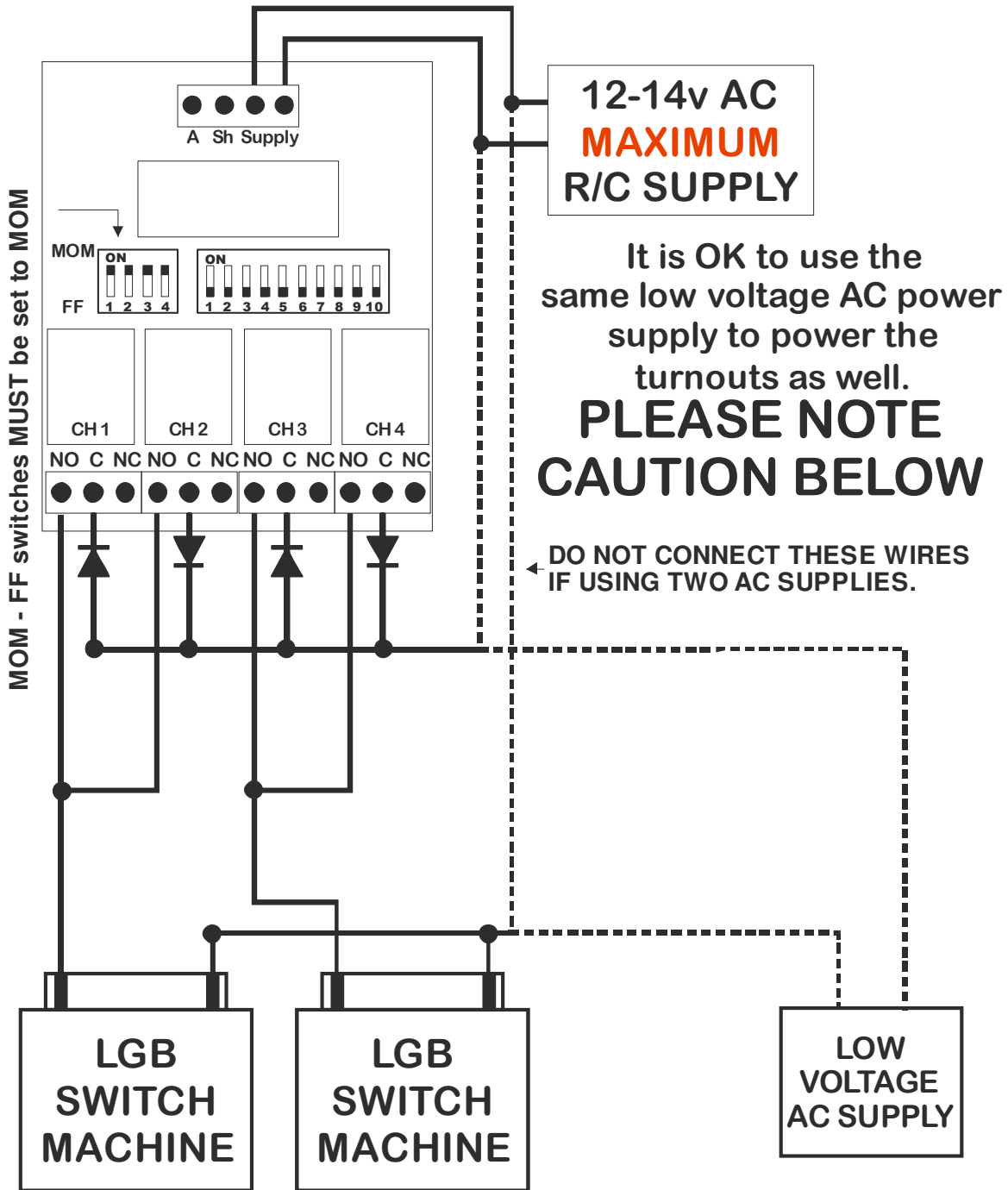
TRC-4-R. FOUR FUNCTION WIRING FOR TORTOISE SWITCH MACHINES & AIR POWERED CONTROL SOLENOIDS.



For applicable code settings see page #2

To maximise range connect 1 meter of light wire to the A ← terminal

TRC-4-R FOUR FUNCTION WIRING FOR DC SWITCH MACHINES SUCH AS LGB

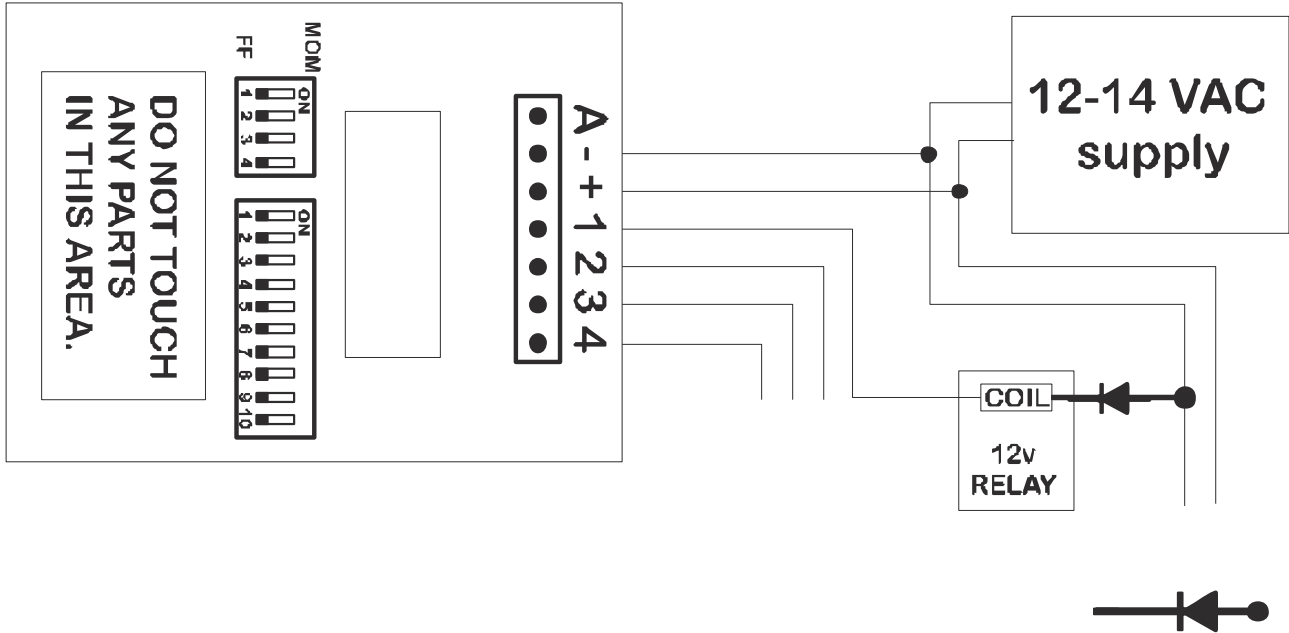


CAUTION

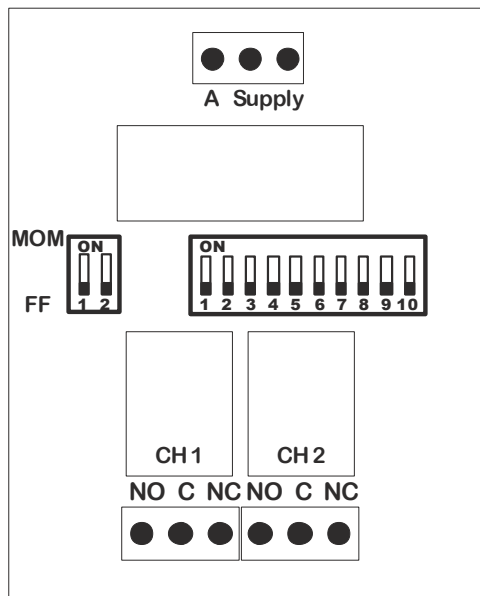
If the switch machines require more than 12 - 14 V you must use a separate AC supply for the machines.

To maximise range connect 1 meter of light wire to the ← terminal

TRC-4-T FOUR FUNCTION WIRING.



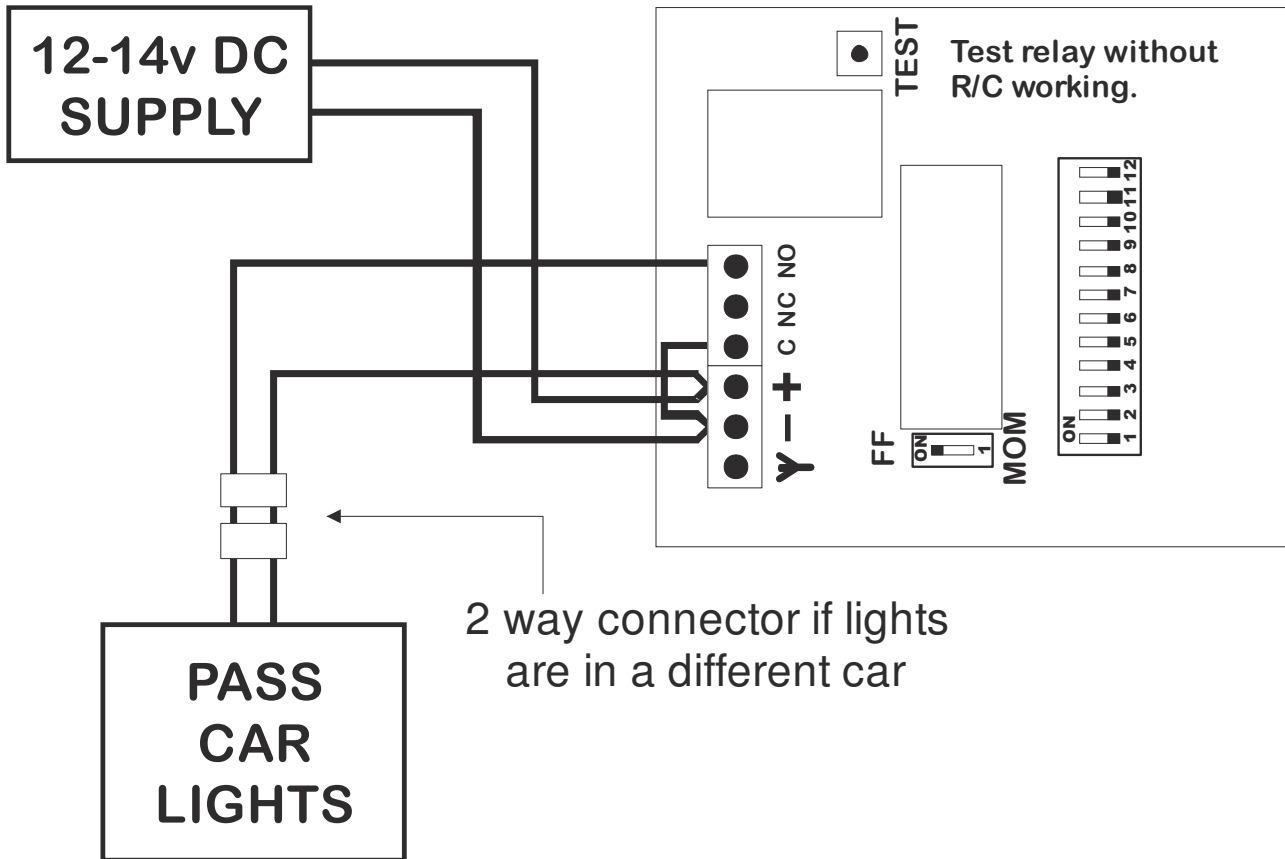
TRC-2-R TWO FUNCTION WIRING FOR TORTOISE SWITCH MACHINES.



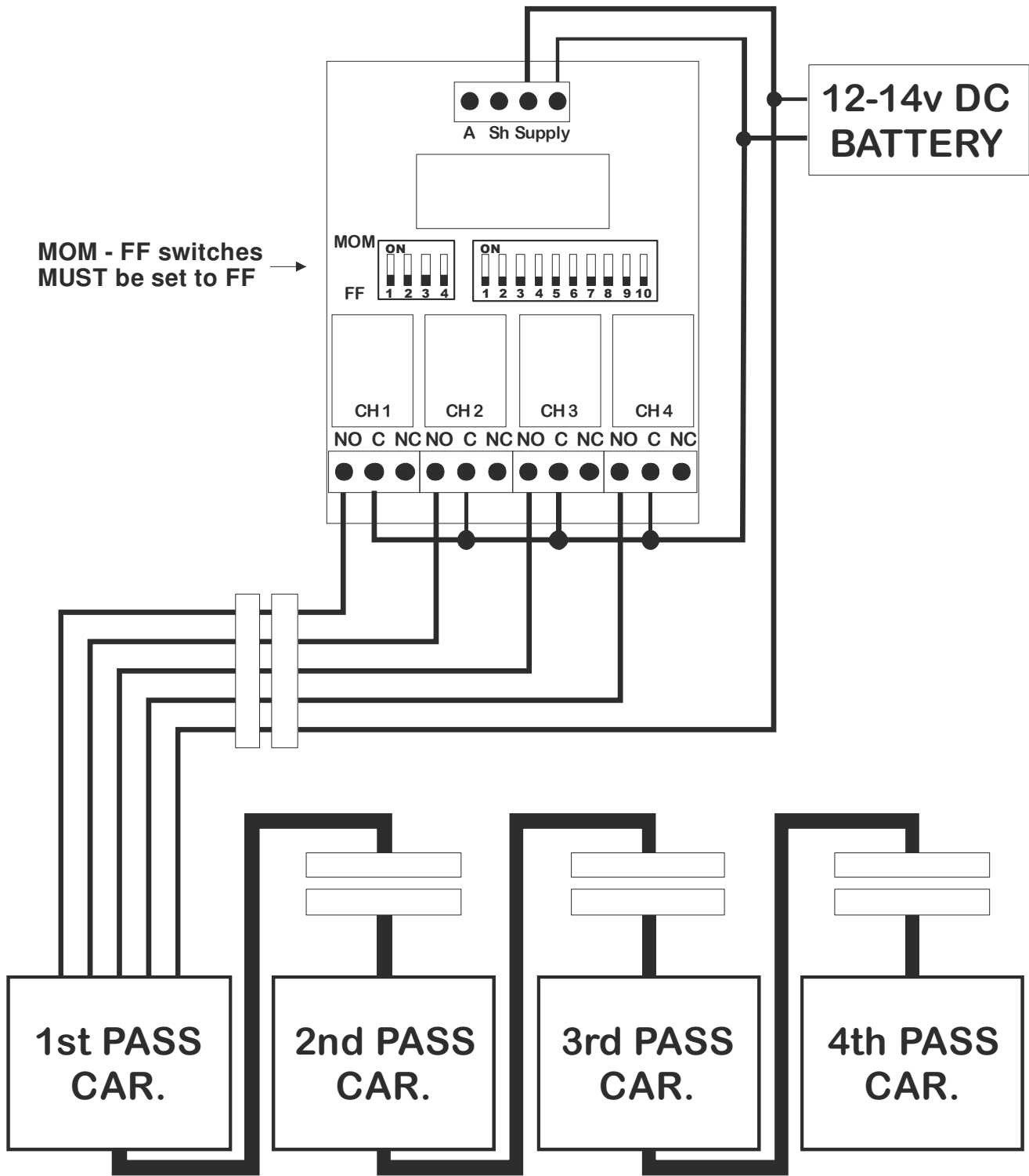
TRC-2R wiring is essentially the same as for the TRC-4-R
See page # 3 & # 4.

To maximise range connect 1 meter of light wire to the  terminal

TRC-1-R SINGLE FUNCTION MODULE. WIRING FOR PASSENGER CAR LIGHTS.



TRC-4-R. FOUR FUNCTION WIRING MOUNTED IN A BAGGAGE CAR TO CONTROL LIGHTS IN PASS CARS.



For applicable code settings see page #'s 2 & 3

To maximise range connect 1 meter of light wire to the A ← terminal

TRC-4-R. ON-OFF MOTOR CONTROLLER. FOR - REV USES 2 RELAYS EACH MOTOR.

MOM - FF switches
MUST be set to MOM →

